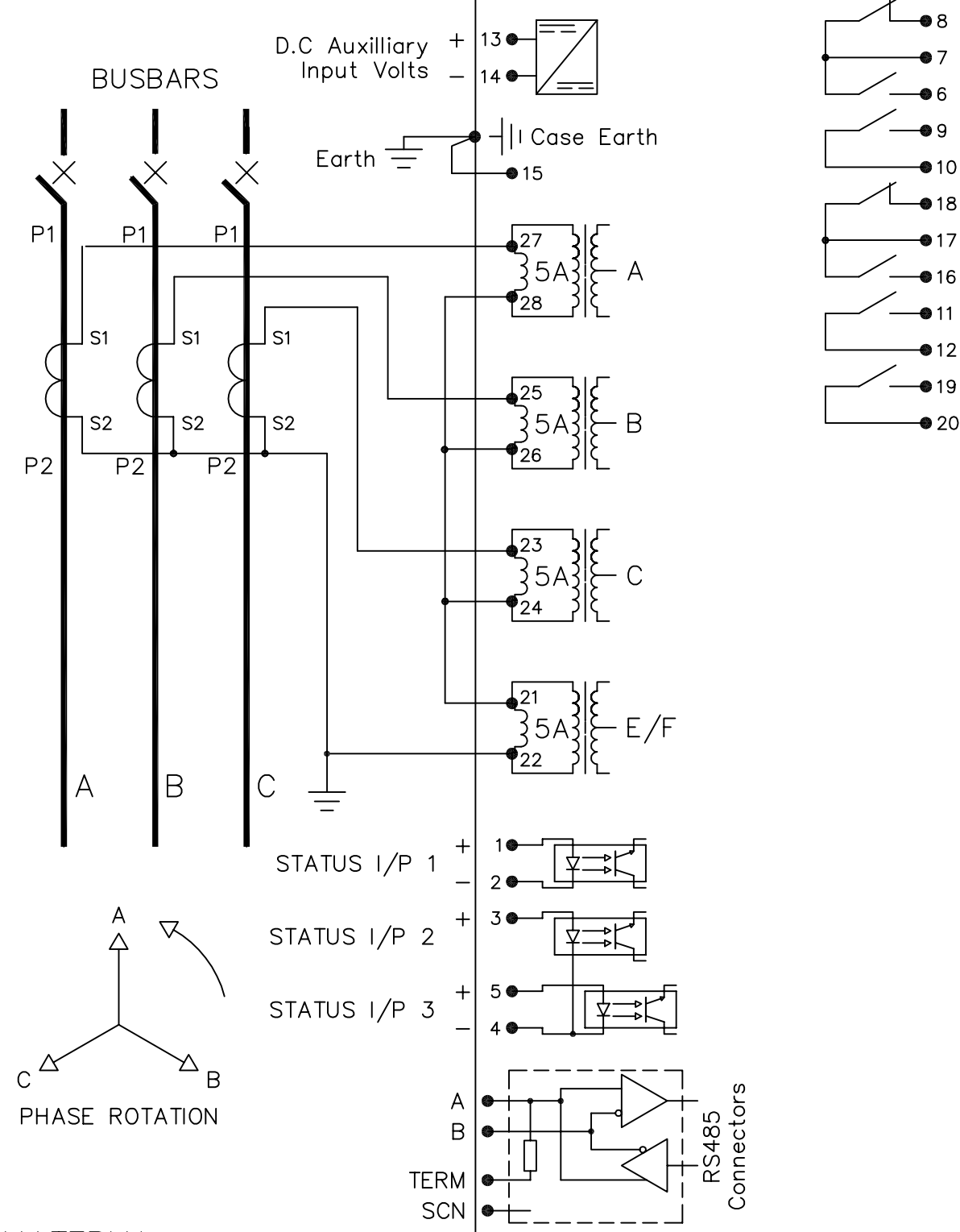


IF IN DOUBT ASK  
DO NOT SCALE

A  
B  
C  
D  
E

ARGUS 43X



MATERIAL:

Dimensions in millimetres : Surface texture in micrometres.  
Machine where marked ✓  
For explanation of dimensions, tolerances, notes etc. see B.S.308.  
Limit on untoleranced unmachined dimensions ± \_\_\_\_\_  
Limits on untoleranced machined dimensions to B.S.4500;  
i.e. up to 6±0.1; over 30 to 120±0.3; over 315±0.8;  
over 6 to 30±0.2; over 120 to 315±0.5;  
General unmachined angular tolerance ± \_\_\_\_\_

Finish:  
Treatment:

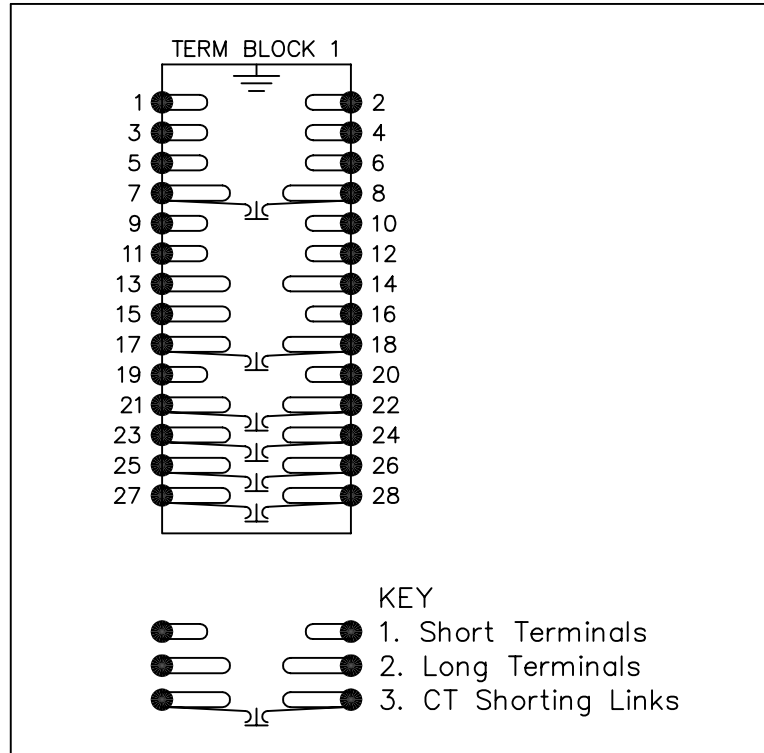
Title:  
TYPICAL SCHEMATIC DIAGRAM ARGUS AG1-4XX-E RELAYS  
5A (3P/F+E/F) 3xSI, 3NO+2CO, RS485 COMMS. INTERFACE

VATECH REYROLLE  
AUTOMATION, CONTROL & PROTECTION

Original Scale.  
NTS

First used on:  
Similar Articles: 2434W10143  
Supersedes:  
Drg. No.  
2434W10146

TERMINAL BLOCKS VIEWED FROM REAR



NOTES

1. CT & EARTH CONNECTIONS ARE TYPICAL ONLY.
2. APPLICATION SHOWS USE OF HOLMGREEN (RESIDUAL CURRENT) CONNECTION FOR E/F CIRCUIT. USE OF SEPERATE RING-CORE CT IS ALSO POSSIBLE.
3. STATUS INPUT 2 AND 3 ARE INTERNALLY COMMONED TO TERMINAL 4 (-ve).
4. FOR TERMINAL DIAGRAM SEE 2434W50014 (A2).

FOR INFORMATION ONLY  
UNCONTROLLED COPY  
NOT SUBJECT TO UPDATE

Copyright © 2004 VATECH REYROLLE ACP Ltd. Hebburn

1	03/12/04	CHANGE NOTED	△
ISSUE	DATE		